

Technical details.



1 Large graphic display

White backlight guarantees clarity of display.
Depending on the fitting position the display can be turned in steps of 90°.

2 Navigator pad

Simple, interactive menu control. Applicable functions are illuminated. Menu handling is easy to comprehend.

3 Ribbon retainer

The threepart tightening axles allow a fast and easy ribbon exchange.

4 Solid, buckling resistant metal chassis

It is made of dye-cast aluminium.
All devices are assembled to it.

5 Assembly applicator

The applicator is assembled on hinges and can be exchanged easily.

6 Printing offset

After exchanging the label roll the printing position is set up automatically after a few printed labels. The label position is stored, even if the machine is turned off.

7 Printhead

The printhead can be exchanged easily.
Adjustments and setups are not necessary.

8 Ribbon saver

It is used for labels which are to be only partially printed.
The printhead is lifted off in the plain area and the ribbon is stopped during label feed.

9 Transport system

The ball bearing transport rollers ensure a highly accurate printing and the precise feeding of labels.

10 Label unwinder

The swing lever and the integrated brake make sure that the labels are unwound with constant tension.

11 Rewinder

The liner of a label roll is rewound after the labels have been peeled off. The clamping shafts enable an easy exchange of the roll.

12 Print direction

All Hermes+ label printers with applicators are in left and right orientation available.

All required interfaces.



- 1 RS232C- Interface
- 2 USB 2.0 Slave interface
- 3 Ethernet 10/100 Base T-interface with TCP/IP
- 4 Slot for Wireless LAN-card
- 5 Two USB-Master-interfaces to connect an external operation panel, keyboard, scanner or Service Key
- 6 Slot for memory card CompactFlash Type I
- 7 Connection for warning light
The Warning light indicates and the printer status
Green Ready for operation
Yellow Premonition end of label, end of ribbon
Red Printing or applying failure
- 8 Master valve for air pressure:
For central activation and deactivation of the compressed air supply
- 9 Connection external emergency stop circuits:
In connection with a master valve this interface allows a disruption of the compressed air supply in case of emergency
- 10 Digital I/O interface
25-pin SUB-D socket.
All 24V in- and outputs are separated potential-free

Inputs

Start printing and applying
Repeat print
Label feed
Delete print job
Pause
Label dispensed
Reset
Stop printing and applying
Print first label
Rotation 4200

Outputs

Operating state
Print data available
Paper feed on
Premonition end of ribbon
Premonition end of label
Default end of ribbon
Default end of label
Label in dispensing position
Initial slate / upper end position
Applying position / lower end position
Collective alarm

Options



Interface Centronics bi-directional acc. IEEE 1284.
Interface RS422/RS485 1.200 up to 230.400 Baud/8 Bit.
The interfaces are connected to the PC.
Connection to the printer via mini USB-connection cable.

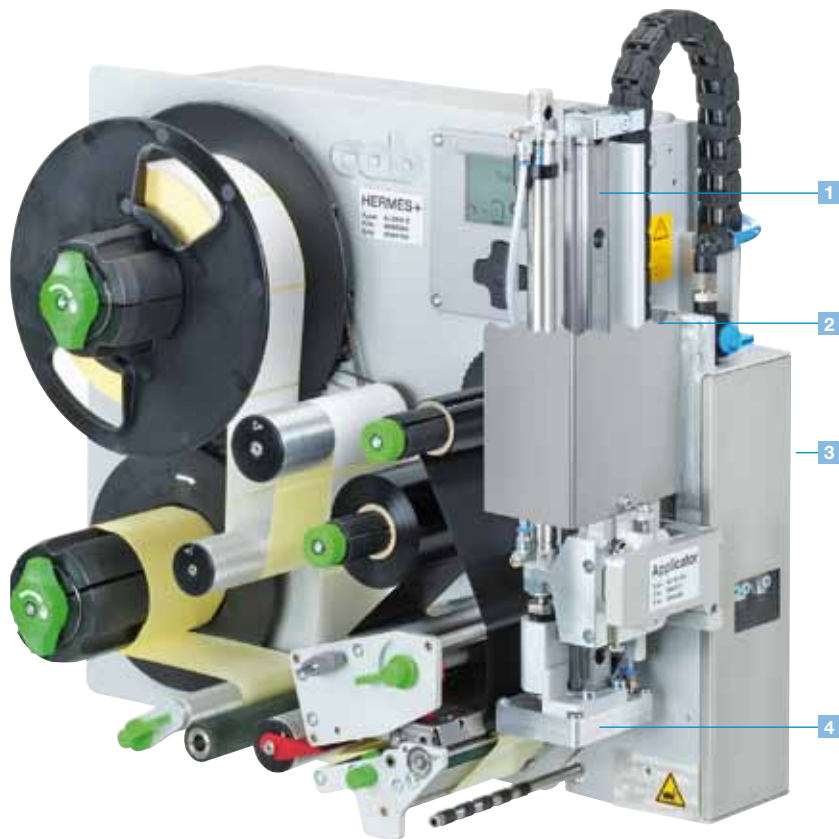


Label selection box-I/O-box. Via SPS up to 16 different labels can be loaded from a memory card.
Operation of four in-/outputs via Basic Interpreter.



cab WLAN card 802.11 b/g.

Applicators.



1 Long operating life

All guides have ball bearings and are therefore resistant to wear.

2 Variable product heights

The lift cylinder allows labelling in different heights. It is standard available in 200/300/400 mm length. More lengths on request.

3 High process reliability

The supporting air jet streaming and the induction air as well as the lifting speed are adjustable and controlled via sensors.

4 Real time application

Applicators for small and big labels permit the application of labels with a height of 4 - 250 mm and a width of 4 - 174 mm.

5 Protective cover (not shown)

Used in the semi-automatic operation mode.
Standard size 1 for labels
W x H up to 70 x 80 mm
Standard size 2 for labels
W x H up to 116 x 80 mm
Further sizes on request.

6 Retractable applicator

Easy and fast access to the printers' mechanics for material change or maintenance work.

